

Part number

CAV 06 LG29



Brief description:

Hoods with single lever, size "44.27", top entry, Pg29, metal version, IP66

Product description

| | |
|---------------------|-------------------------|
| Version | metal version |
| Series | Hoods with single lever |
| Product type | with 1 lever |
| Variant | top entry |
| Style | high construction |
| Family | CLASS enclosures |
| Size | size "44.27" |

Technical data

| | |
|--------------------------------|--------------------------------|
| Material | metal |
| IP degree of protection | IP66 (and IP69K DIN 40050 - 9) |
| Cable entry | Pg29 |

Further technical details

| | |
|---------------|----------|
| Weight | 240,00 g |
|---------------|----------|

Approvals / Standards

| | |
|---------------------|---|
| Quality mark |  (type:4/4X/12),  , EAC |
| Conformity | CQC, CE |

General ordering information

| | |
|----------------------|---------------|
| EAN13 code | 8015747009171 |
| Tariff number | 85369095 |

Packaging Information

| | |
|----------------------------------|-------------------|
| Sub-packaging weight | 1,20 kg |
| Sub-packaging description | Plastic packaging |
| Sub-packaging quantity | 5 Pcs |
| Sub-packaging EAN barcode | 8015747009188 |

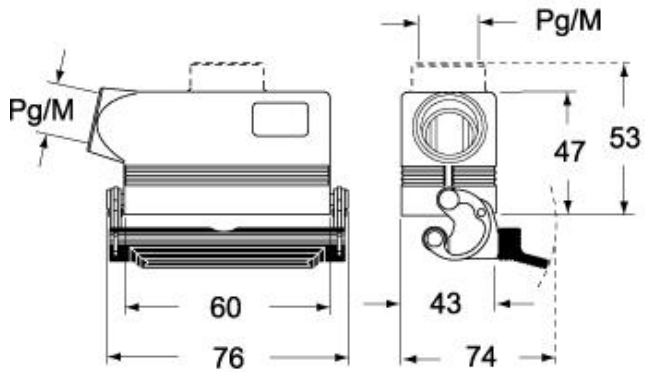
Part number

CAV 06 LG29

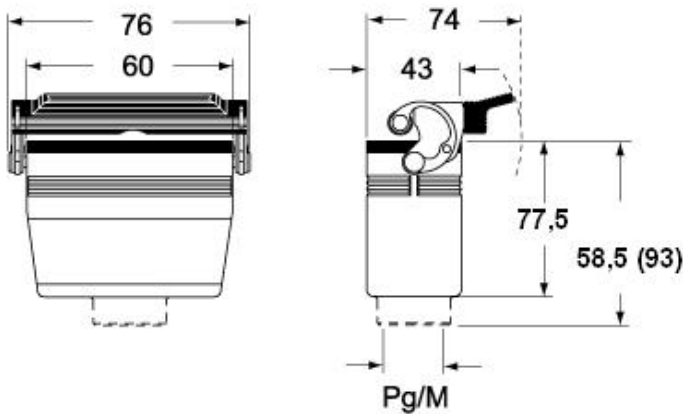


Catalogue drawings

CHO LX CHV LX - MHO LX MHV LX



CHV LG (CAV LG), MHV LG (MAV LG) [MFV LG]



CHO L (CAO L) - MHO (MAO/MFO/MFV L) MHV L [MAV L]

